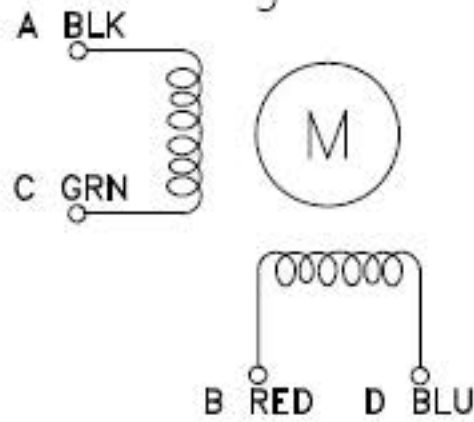


Diagram

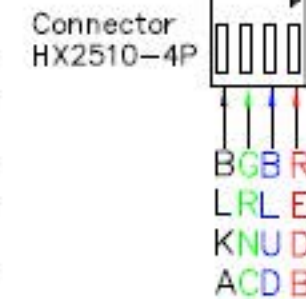


Label by laser print

LDOMOTORS.COM
 1.8° Hybrld Stepper Motor
 LDO-42STH60-2004AC #YYMMDD

Date Code

Cable	
Part NO	Length
LDO-42CB260HX	260
LDO-42CB320HX	320
LDO-42CB560HX	560
LDO-42CB1220HX	1220



Items	Specs	Items	Specs
Phase Number	2 phases	Step Angle	1.8°±5%
Rated Voltage	4.0 VDC	Rated Current	DC 2.0 A / Phase
Resistance(20°C)	2.0±10% Ω / phase	Inductance	3.3±20% mH / Phase
Holding Torque	≥ 9.0Kg-cm(125Oz-in)	Detent Torque	0.28 Kg-cm REF.
Rotate Direction	ACBDA CW	MAX Starting PPS	2500 PPS
MAX slewing PPS	2500 PPS	Insulation Resistance	≥100 MΩ(DC 500V)
HI POT	AC600V/1mA/1S	Insulation Class	Class B
Rotor Inertia	102 g.cm ²	Welgth	0.5 Kg REF.

A	—	New Release	J.B.	J.B.	10/19/15
REV	ECN NO	Description	Made by	Approve	Date
LDO MOTORS		LDO MOTORS CO.,LTD			
Scale		Hybrld Stepper Motor			
		LDO-42STH60-2004AC			
Des.	Check	Appr.	Date	Factory Code	Page