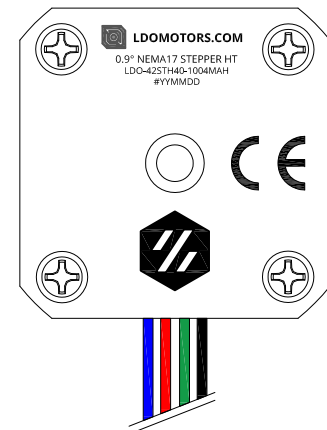
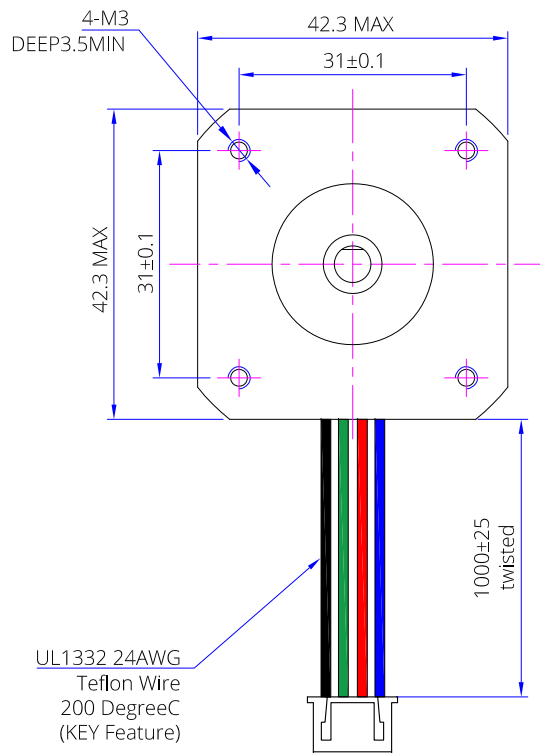
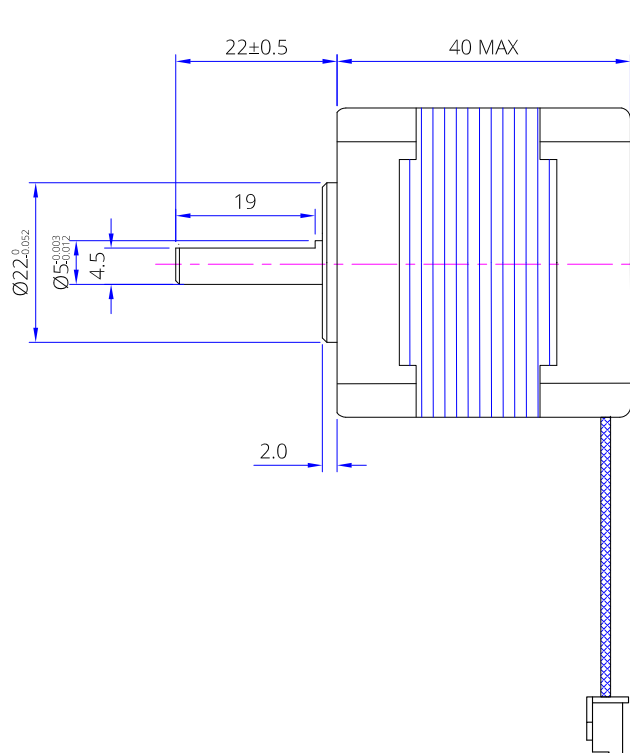


A

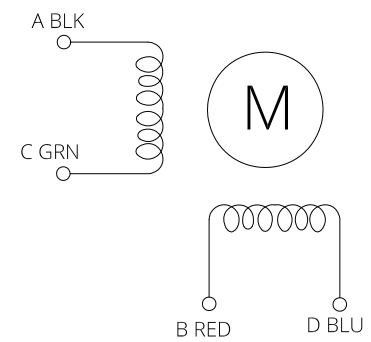
B

C

D



Diagram



*** For Voron V1&2 A/B Motor (X/Y Motor), 2pcs per printer.**

Item	Specification	Item	Specification
Phase Number	2	Step Angle	0.9° ± 5%
Rated Voltage	DC 4.1V / Phase	Rated Current	DC 1.0A / Phase
Phase Resistance	4.4x(1±15%) Ω	Phase Inductance	9.5x(1±20%) mH
Holding Torque	3.3Kgf-cm (330mN-m)	Detent Torque	15 mN-m REF.
Rotate Direction	A-AB-B CW	Insulate Resistance	100Mohm(DC500V)
HI-POT	AC600V/1mA/1S	Insulation Class	Class H 180°C
Rotor Inertia	62 g-cm ² REF	Weight	0.28 Kg REF

A		NEW RELEASE		Xu SD	J.B.	6/25/20
REV.	ECN NO.	DESCRIPTION		MADE BY	APPR. BY	DATE
		VIEW				
		SCALE	LDO Motors Co., Ltd. Part NO. 0.9° NEMA17 Stepper Motor HT LDO-42STH40-1004MAH(VRN)			
DRAWN BY	CHECKED BY	APPR. BY	DATE	FACTORY CODE	SHEET NO.	
Xu SD	J.B.	J.B.	6/25/20		1/1	